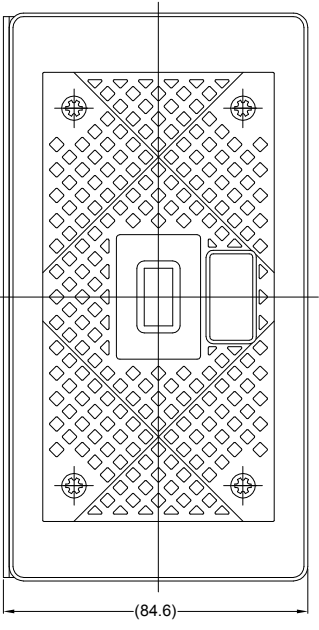
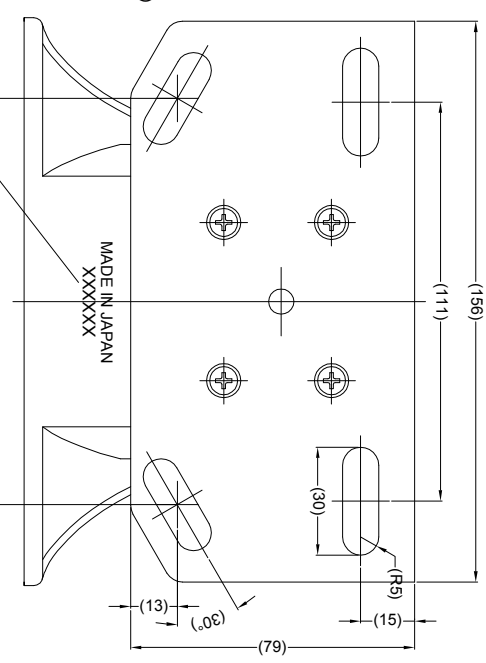
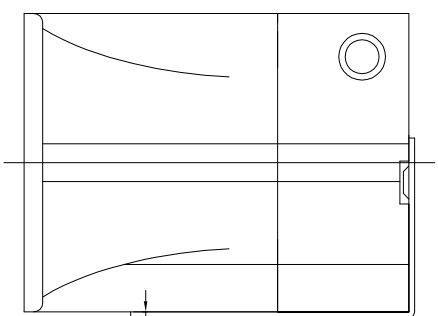
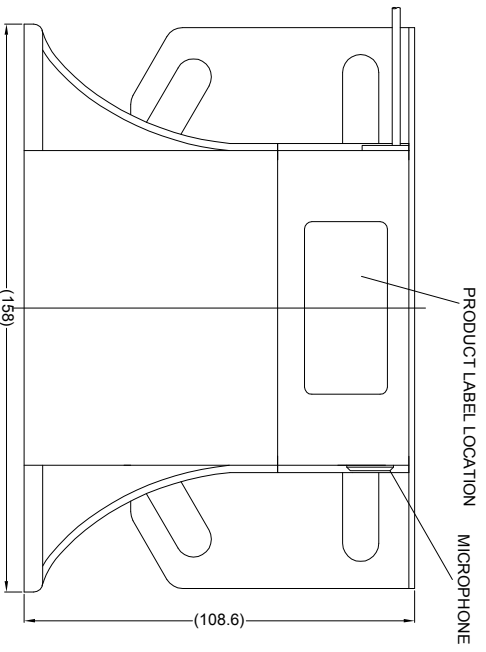
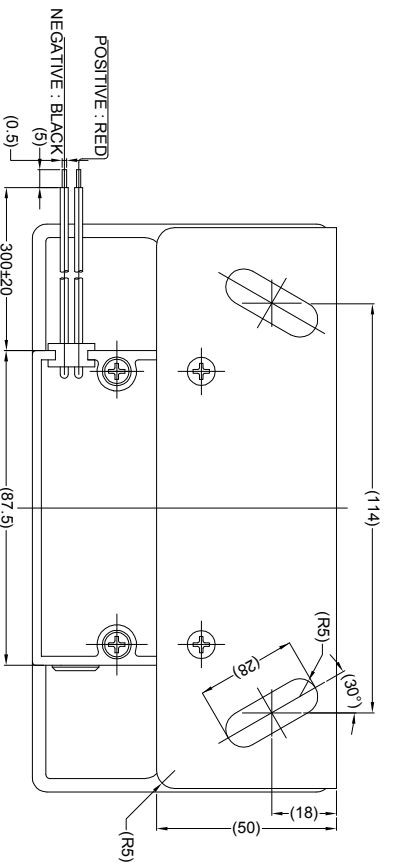


Revision Notes			
R1 - SPECIFICATIONS CORRECTED, NOTES UPDATED TO REFLECT LABELS, FRAME AND STANDARDS UPDATED.	Drawn:RBATES	Checked:-	Approved:-
APR -	Drawn:RBATES	Checked:-	Approved:-
R2 - NOTES UPDATED TO INCLUDE LABEL DETAILS AS PER ECR CR-A274.	Drawn:RBATES	Checked:RBUTLER	Approved:GRUTH
APR -	Drawn:RBATES	Checked:RBUTLER	Approved:GRUTH
APR -	Drawn:RBATES	Checked:RBUTLER	Approved:GRUTH



- NOTES:
1. FOR PRODUCT SPECIFICATIONS REFER TO PRODUCT SPECIFICATION DOCUMENT.
 2. FOR PRODUCT LABEL REFER TO LATEST REVISION OF DRAWING: BE-002833-XX-14.
 3. FOR GIFTBOX LABEL REFER TO LATEST REVISION OF DRAWING: BE-002834-XX-14.
 4. FINISH: BLACK
 5. "R TRIANGLE" INDICATES CHANGES MADE TO REVISION OF DRAWING AS IDENTIFIED IN REVISION NOTES.



- SPECIFICATION:
1. RATED VOLTAGE: 12/24 VOLTS DIRECT CURRENT (WORKING VOLTAGE RANGE 9-32 VOLTS).
 2. RATED CURRENT: 0.3 AMPERES OR LESS.
 3. SOUND PRESSURE: SELF-ADJUSTING 87~112.4dB(A) (MINIMUM OF 5dB(A) ABOVE SENSED AMBIENT NOISE)
 4. TONE FREQUENCIES: 1900±200Hz AT TEST VOLTAGES OF 28 VOLTS.
 5. PULSATIONS: 70±10 CYCLES PER MINUTE AT TEST VOLTAGES OF 28 VOLTS.
 6. DURABILITY: CONSECUTIVE 500 HOURS AT TEST VOLTAGE OF 28 VOLTS.
 7. SURGE VOLTAGE: TO BE FREE FROM ABNORMALITY WHEN APPLYING 100V, 100ms PULSES EVERY 5 SECONDS FOR 1 HOUR AT A TEST VOLTAGE OF 28V.
 8. RANGE OF OPERATING TEMP: GUARANTEED: -40°C ~ 85°C.
 9. OTHERS: MEETS REQUIREMENTS OF SAE J994.

PROPRIETARY NOTICE
 THIS DESIGN AND TECHNICAL INFORMATION APPEARING ON THIS DRAWING IS THE PROPERTY OF BRIGADE ELECTRONICS, AND IS DISCLOSED IN CONFIDENCE. IT IS NOT TO BE COPIED, REPRODUCED, REVEALED TO OR EXPLOITED BY OTHERS, EITHER IN WHOLE OR IN PART WITHOUT THE EXPRESS WRITTEN CONSENT OF BRIGADE ELECTRONICS.

BRIGADE®
 www.brigade-electronics.com

Assembly Pl Approval		Approved by		Checked by		Drawn by	
	Third Angle	Units	Scale	Released	Assembly Ref	DKERAL	DKERAL
Status	RELEASED	mm	N/A	12/07/06	-	SA-800	-
Part No	#1315					BE-000371-02-06	